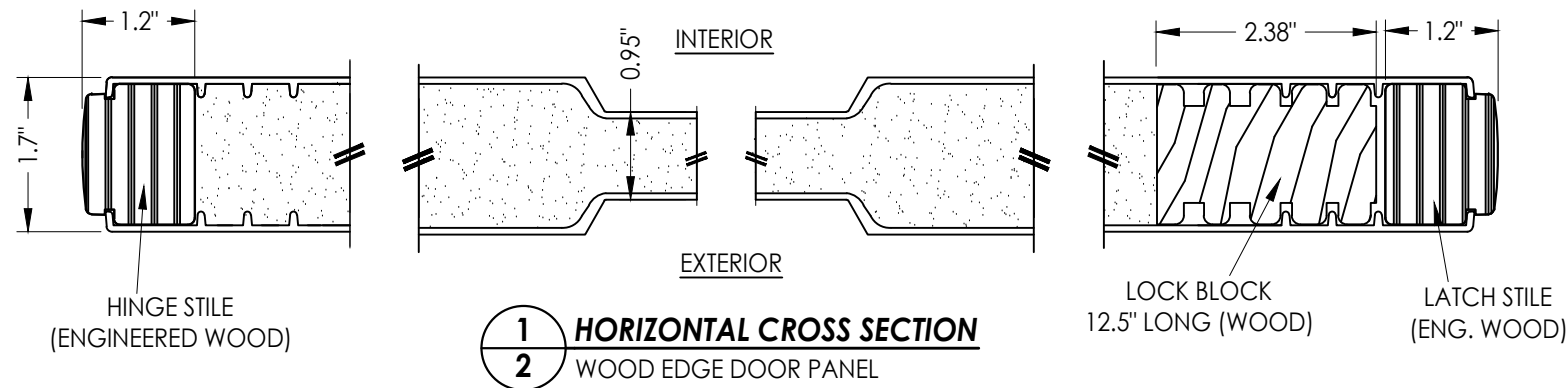
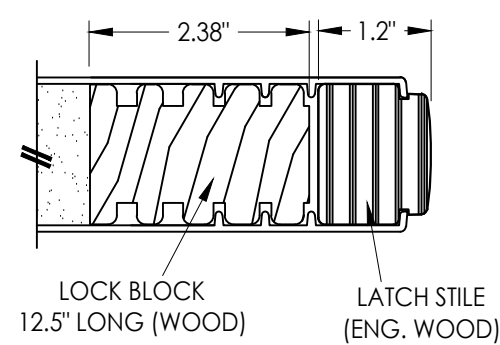


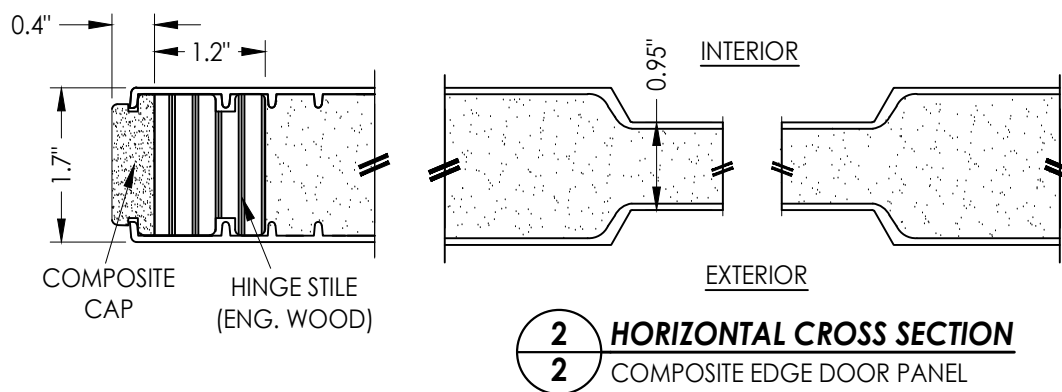
Z:\2023 FBC Drawings\Therma-Tru\FL-37182 R1\FL-37182.1-3.dwg



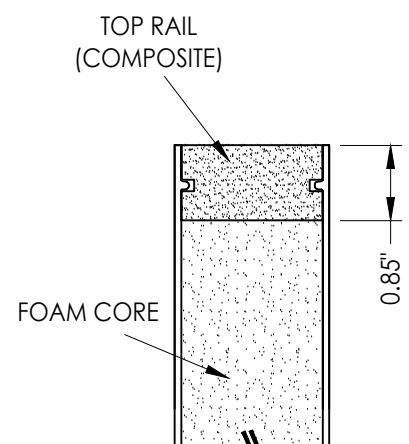
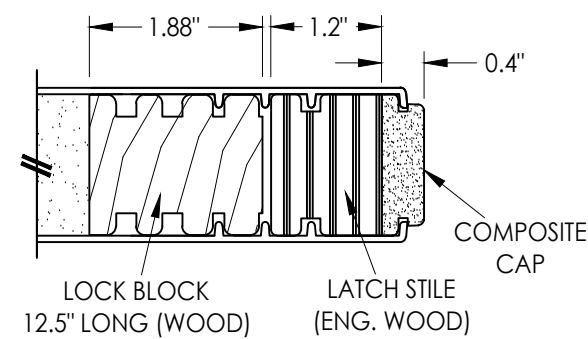
1 HORIZONTAL CROSS SECTION
2 WOOD EDGE DOOR PANEL



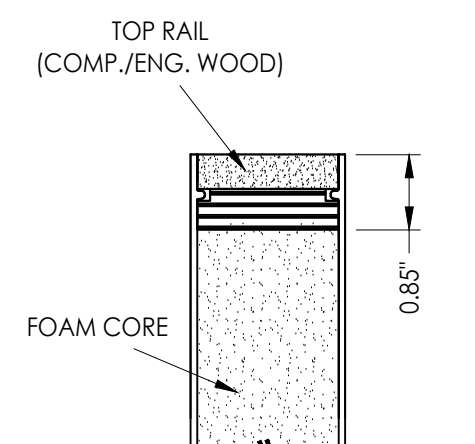
NOTE: BOOK, HYBRID & U1 DOORS
MAY EACH BE FABRICATED AS WOOD
OR COMPOSITE EDGE DOORS.



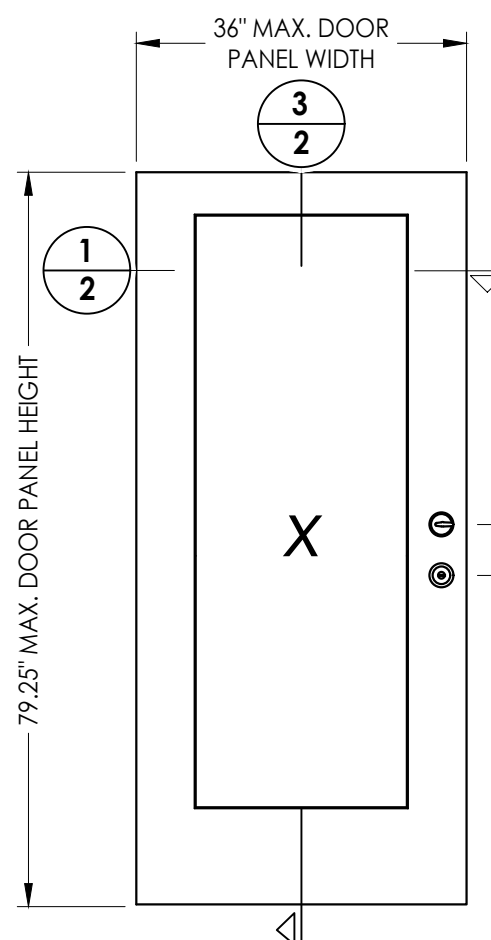
2 HORIZONTAL CROSS SECTION
2 COMPOSITE EDGE DOOR PANEL



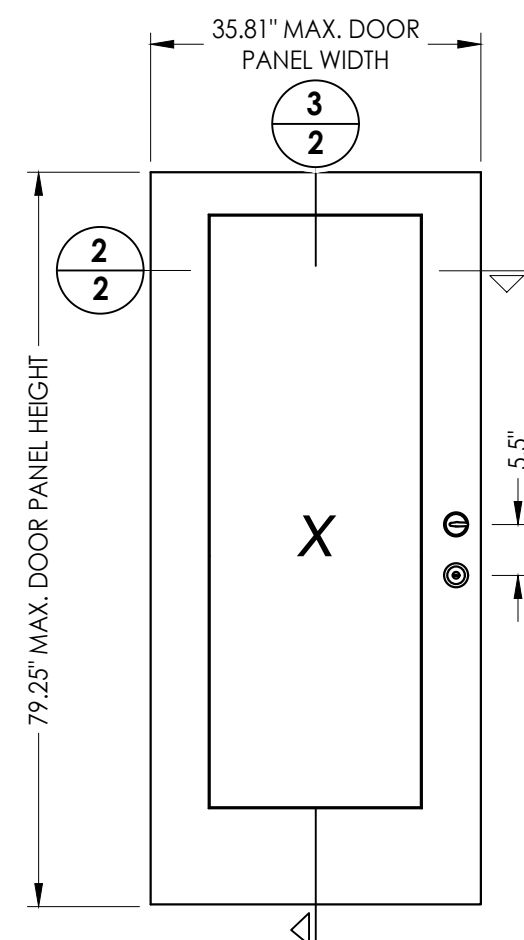
3 VERTICAL CROSS SECTION
2 WOOD EDGE DOOR PANEL



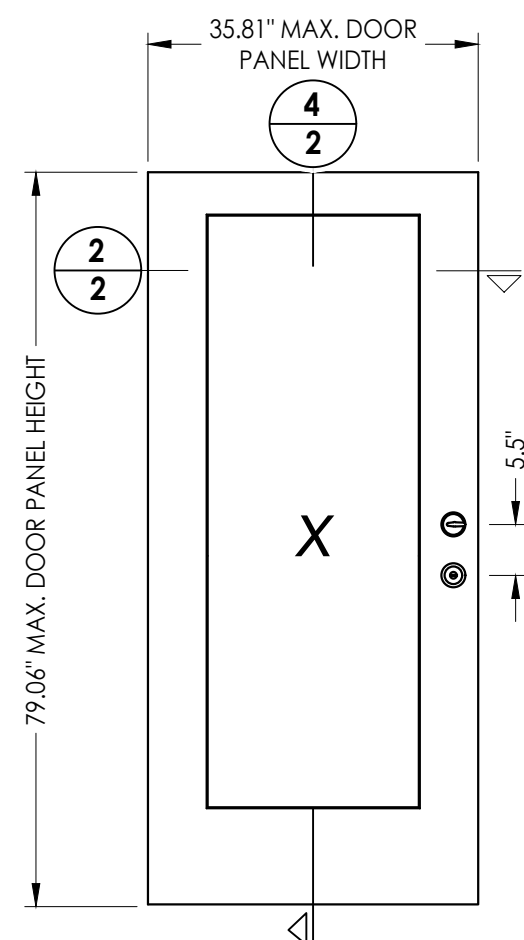
4 VERTICAL CROSS SECTION
2 COMPOSITE EDGE DOOR PANEL



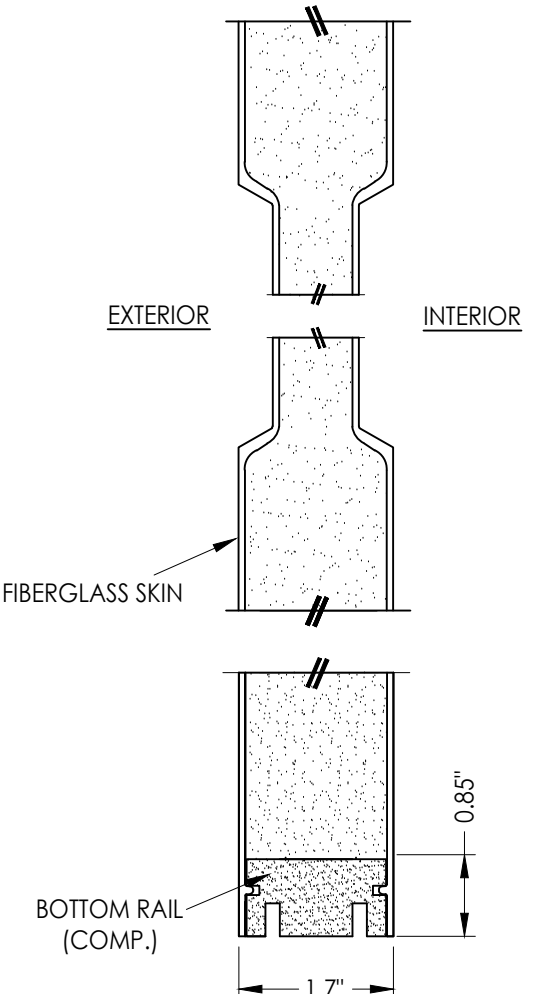
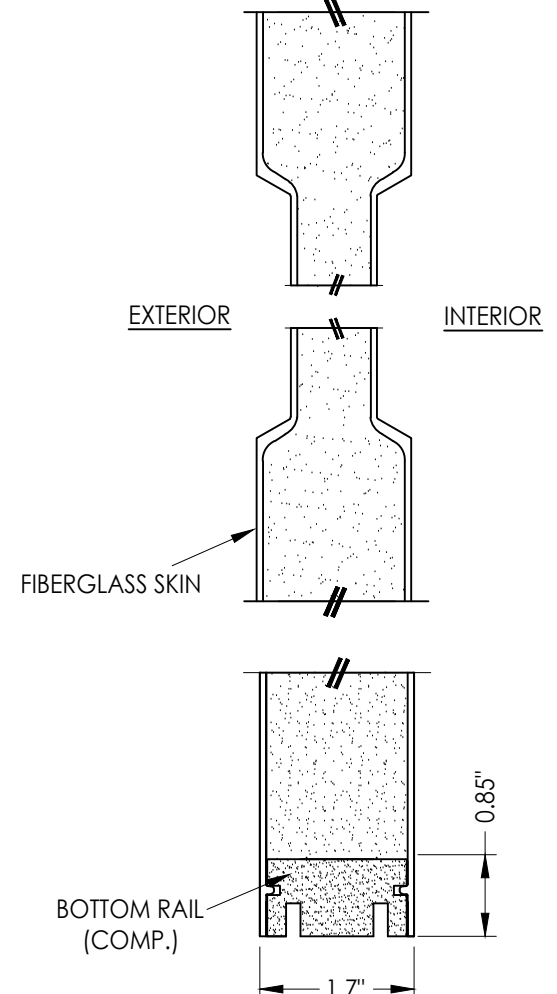
40 FIBERGLASS DOOR PANEL
BOOK DOOR



41 FIBERGLASS DOOR PANEL
HYBRID DOOR



42 FIBERGLASS DOOR PANEL
U1 DOOR



Documents Prepared By:
Lyndon F. Schmidt
P.E. No. 43409

RW BUILDING CONSULTANTS, INC.
P.O. Box 230, Valrico, FL 33595
Phone No.: 813.659.9197
FBPE Registry No. 9813

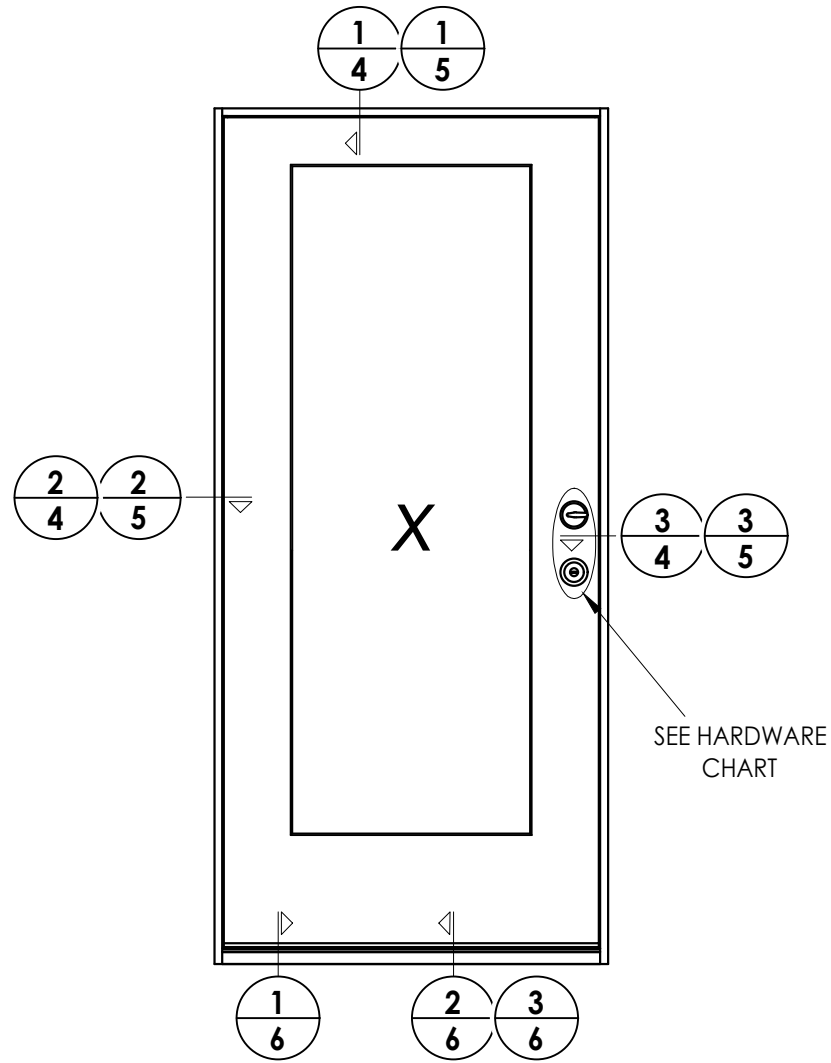
PRODUCT: THERMA-TRU
FIBERGLASS DOOR

PART OR ASSEMBLY:
DOOR PANEL DETAILS

NO.	DATE	DESCRIPTION	BY
1	7/27/23	UPDATE TO 8TH ED. (2023)	LFS

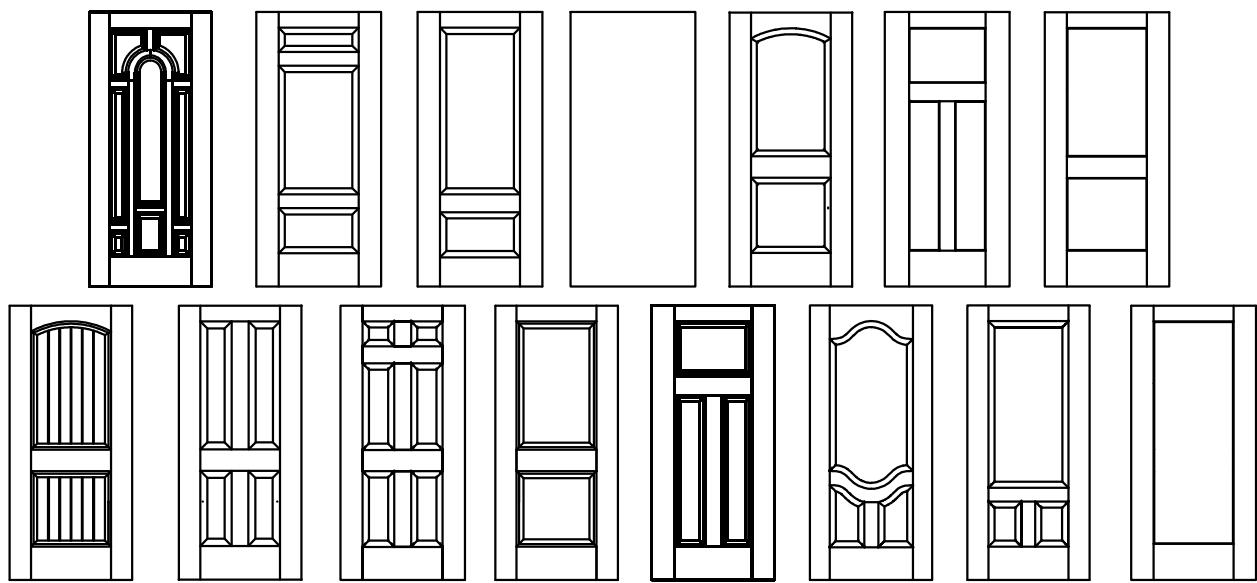
DATE:	5/18/21
SCALE:	N.T.S.
DWG. BY:	RW
CHK. BY:	LFS
DRAWING NO.:	FL-37182.1
SHEET	2 OF 9

© 2021 R.W. BUILDING CONSULTANTS INC.



SEE HARDWARE CHART

HARDWARE TABLE	
MANUFACTURER	MODEL
SCHLAGE	KNOB: F51 DEADBOLT: B60
KWIKSET	KNOB: SIGNATURE SERIES DEADBOLT: SIGNATURE SERIES (980)



Fiber-Classic/Smooth-Star Door Panel Options

Products approved include all embossed and recessed panel doors.
 Similar opaque panel configurations are allowed.
 Panels shown are for illustration and are representative only.

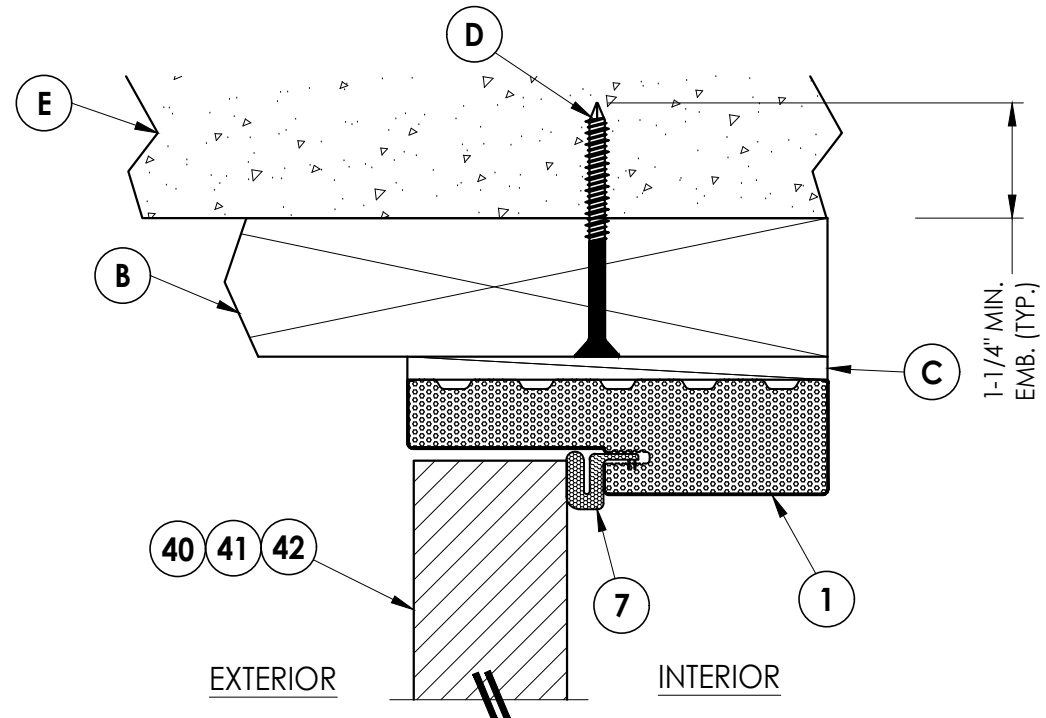
DATE: 5/18/21
 SCALE: N.T.S.
 DWG. BY: RW
 CHK. BY: LFS
 DRAWING NO.: FL-37182.1
 SHEET 3 OF 9

NO.	DATE	REVISIONS
1	7/27/23	UPDATE TO 8TH ED. (2023) FBC
		LFS
		BY

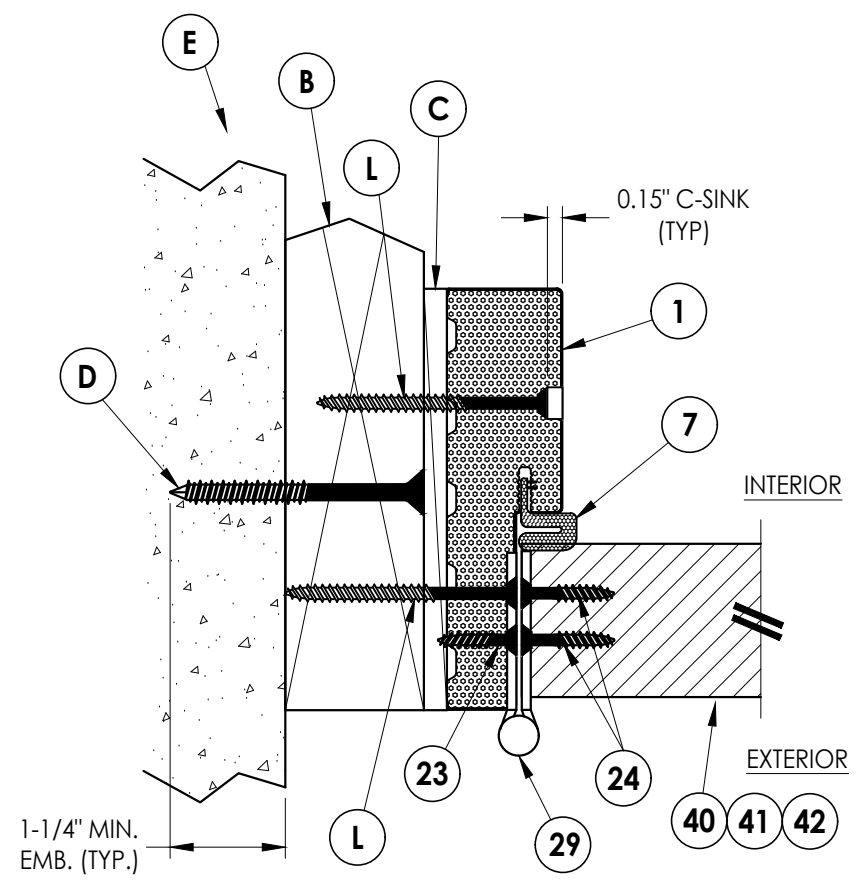
PRODUCT: THERMA-TRU FIBERGLASS DOOR
 PART OR ASSEMBLY: ELEVATIONS

Documents Prepared By:
 Lyndon F. Schmidt
 P.E. No. 43409

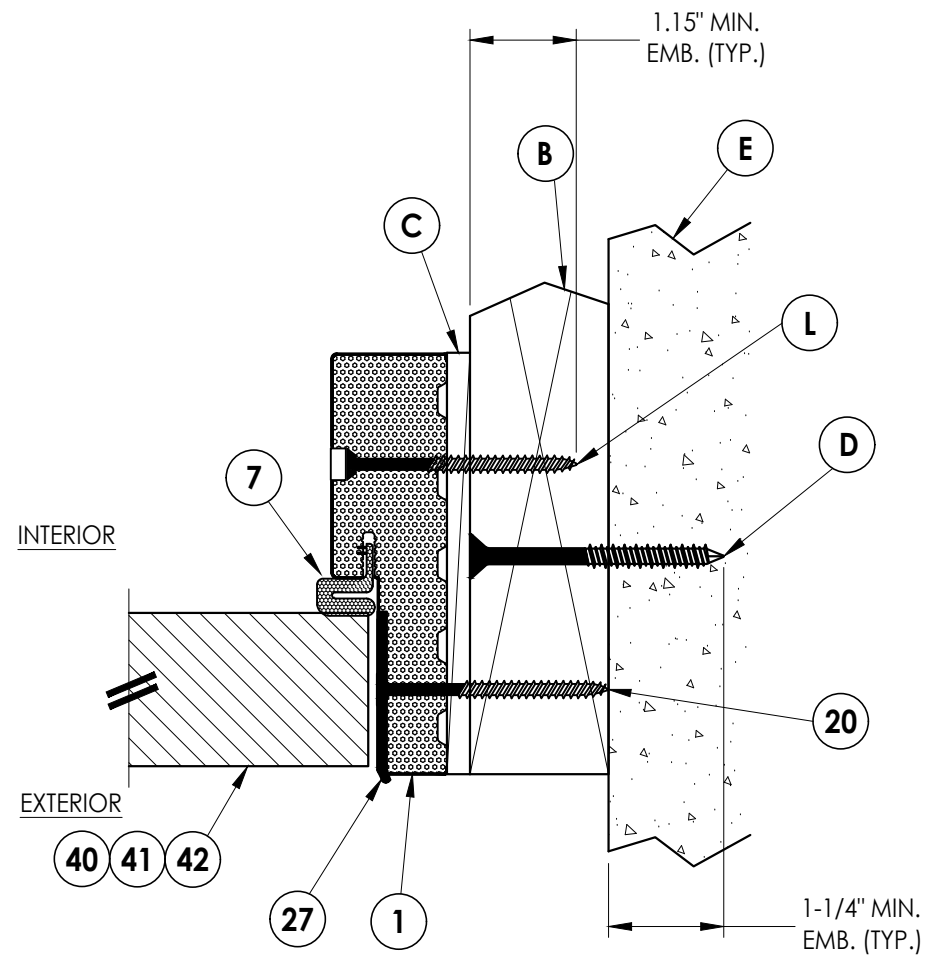
RW BUILDING CONSULTANTS, INC.
 P.O. Box 230, Valrico, FL 33595
 Phone No.: 813.659.9197
 FBPE Registry No. 9813



1 VERTICAL CROSS SECTION
4 Shown w/ 2X Buck
 Outswing shown (Inswing similar)



2 HORIZONTAL CROSS SECTION
4 Shown w/ 2X Buck
 Outswing shown (Inswing similar)



3 HORIZONTAL CROSS SECTION
4 Shown w/ 2X Buck
 Outswing shown (Inswing similar)

Documents Prepared By:
 Lyndon F. Schmidt
 P.E. No. 43409

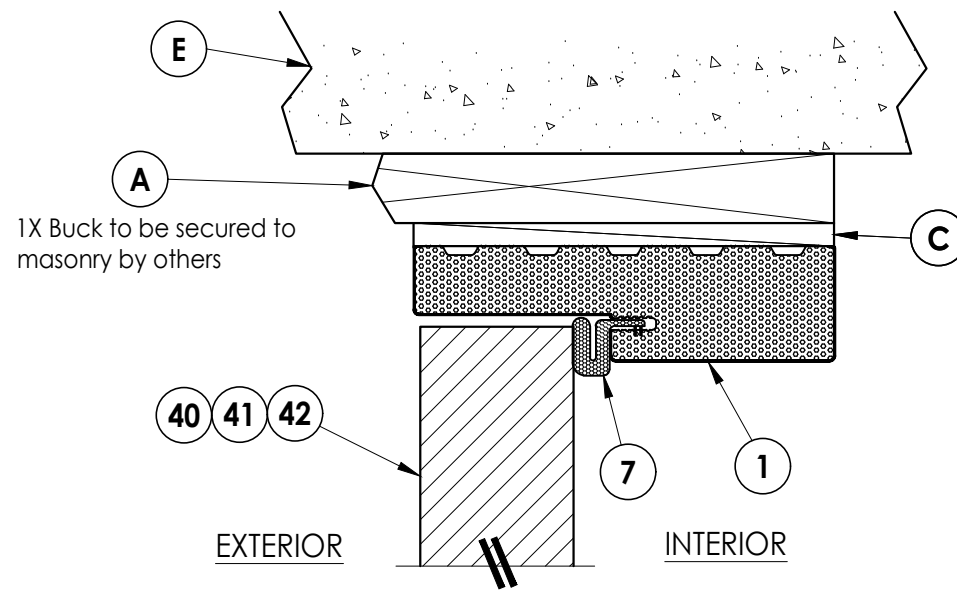
RW BUILDING CONSULTANTS, INC.
 P.O. Box 230, Valrico, FL 33595
 Phone No.: 813.659.9197
 FBPE Registry No. 9813

PRODUCT:
 THERMA-TRU
 FIBERGLASS DOOR

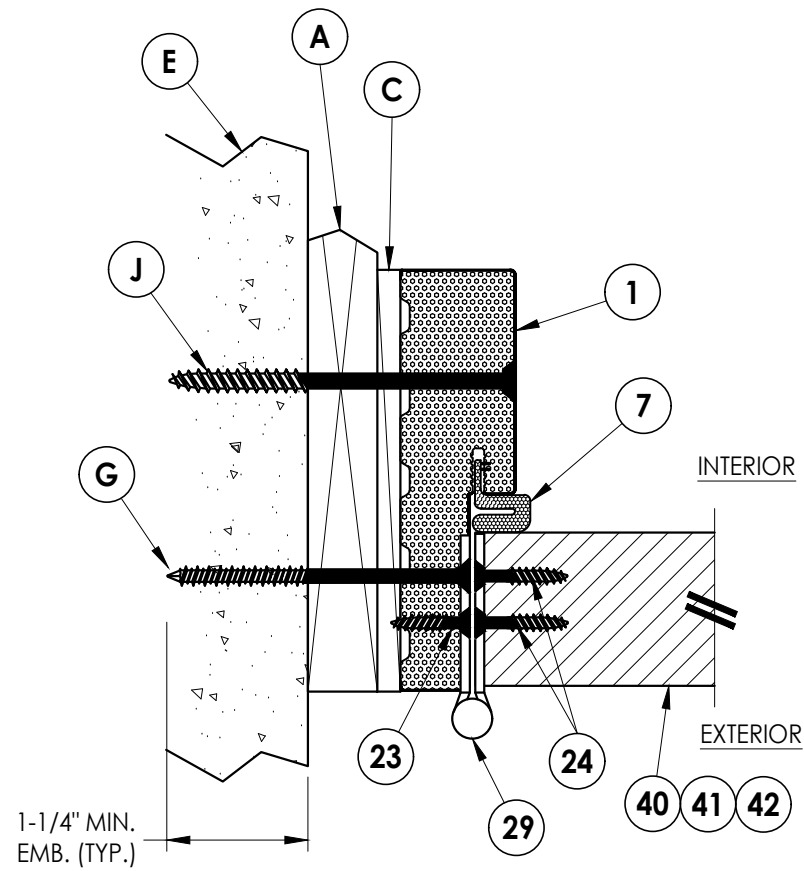
PART OR ASSEMBLY:
 HORIZONTAL & VERTICAL
 CROSS SECTIONS (2X BUCK)

NO.	DATE	REVISIONS	LFS	BY
1	7/27/23	UPDATE TO 8TH ED. (2023)	FBC	

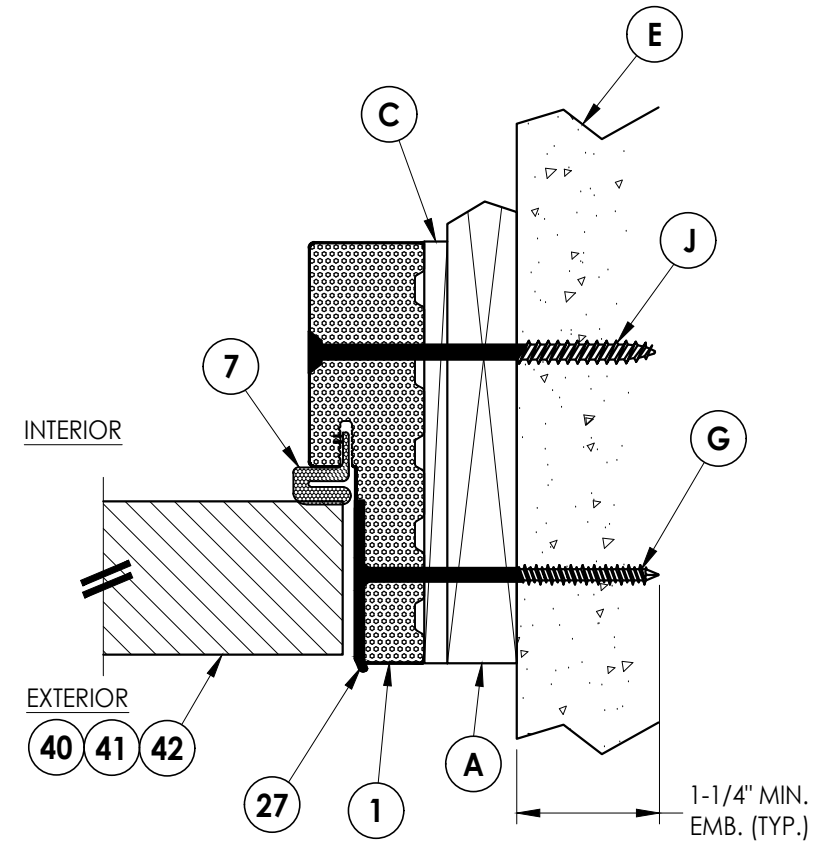
DATE: 5/18/21
 SCALE: N.T.S.
 DWG. BY: RW
 CHK. BY: LFS
 DRAWING NO.: FL-37182.1
 SHEET 4 OF 9



1 VERTICAL CROSS SECTION
5 Shown w/ 1X sub-buck
 Outswing shown (Inswing similar)



2 HORIZONTAL CROSS SECTION
5 Shown w/ 1X sub-buck
 Outswing shown (Inswing similar)



3 HORIZONTAL CROSS SECTION
5 Shown w/ 1X sub-buck
 Outswing shown (Inswing similar)

Documents Prepared By:
 Lyndon F. Schmidt
 P.E. No. 43409

RW BUILDING CONSULTANTS, INC.
 P.O. Box 230, Valrico, FL 33595
 Phone No.: 813.659.9197
 FBPE Registry No. 9813

PRODUCT:
 THERMA-TRU
 FIBERGLASS DOOR

PART OR ASSEMBLY:
 HORIZONTAL & VERTICAL
 CROSS SECTIONS (1X BUCK)

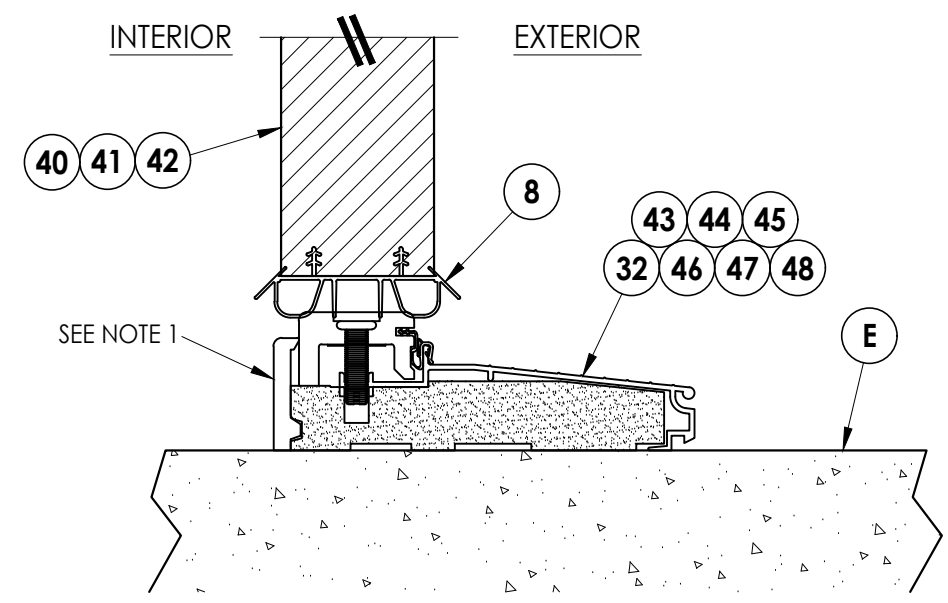
NO.	DATE	BY
1	7/27/23	LFS
	UPDATE TO 8TH ED. (2023)	FBC

REVISIONS

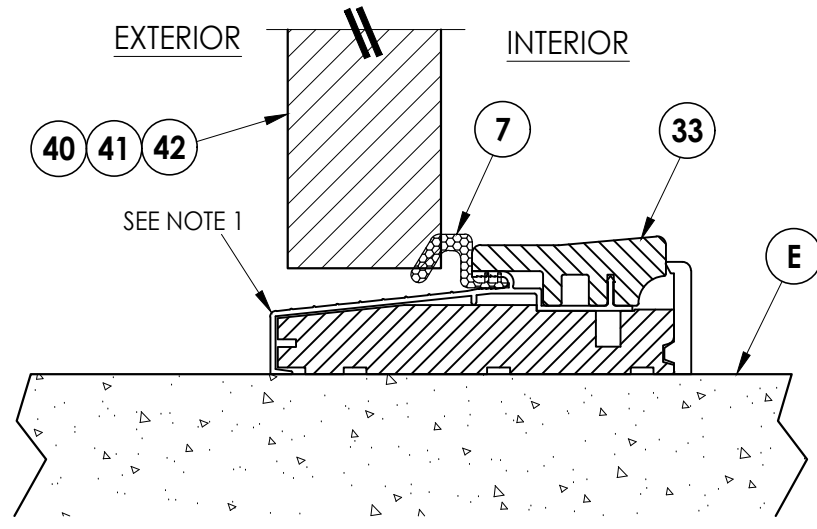
DATE: 5/18/21
 SCALE: N.T.S.
 DWG. BY: RW
 CHK. BY: LFS
 DRAWING NO.:
 FL-37182.1
 SHEET 5 of 9

Note:

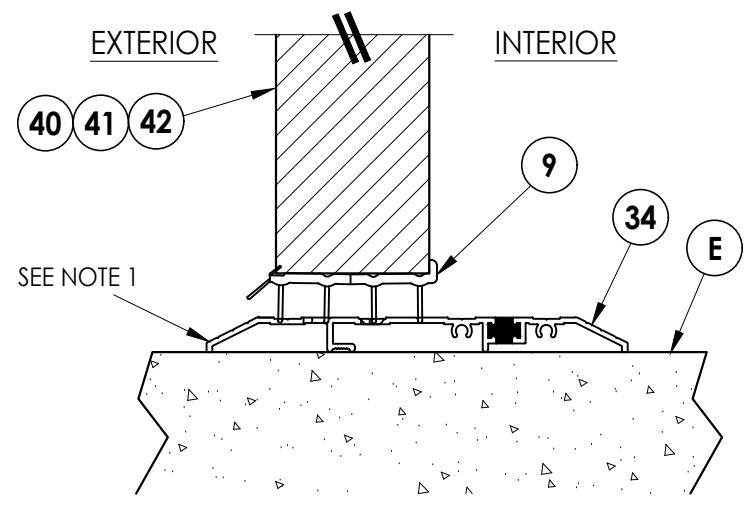
- 1. Sill Item #32, #43-48 are attached to jambs w/ (3) #8 X 2-1/2" pfh screws at each end.
- Sill Item #33 is attached to jambs w/ (2) #8 X 2-1/2" pfh screws at each end.
- Sill Item #34 is attached to jambs utilizing (2) #10 X 2" pph SMS at each end.



1 VERTICAL CROSS SECTION
6 Inswing Sill



2 VERTICAL CROSS SECTION
6 Outswing Sill



3 VERTICAL CROSS SECTION
6 Public Access Sill

Documents Prepared By:
Lyndon F. Schmidt
P.E. No. 43409

RW BUILDING CONSULTANTS, INC.
P.O. Box 230, Valrico, FL 33595
Phone No.: 813.659.9197
FBPE Registry No. 9813

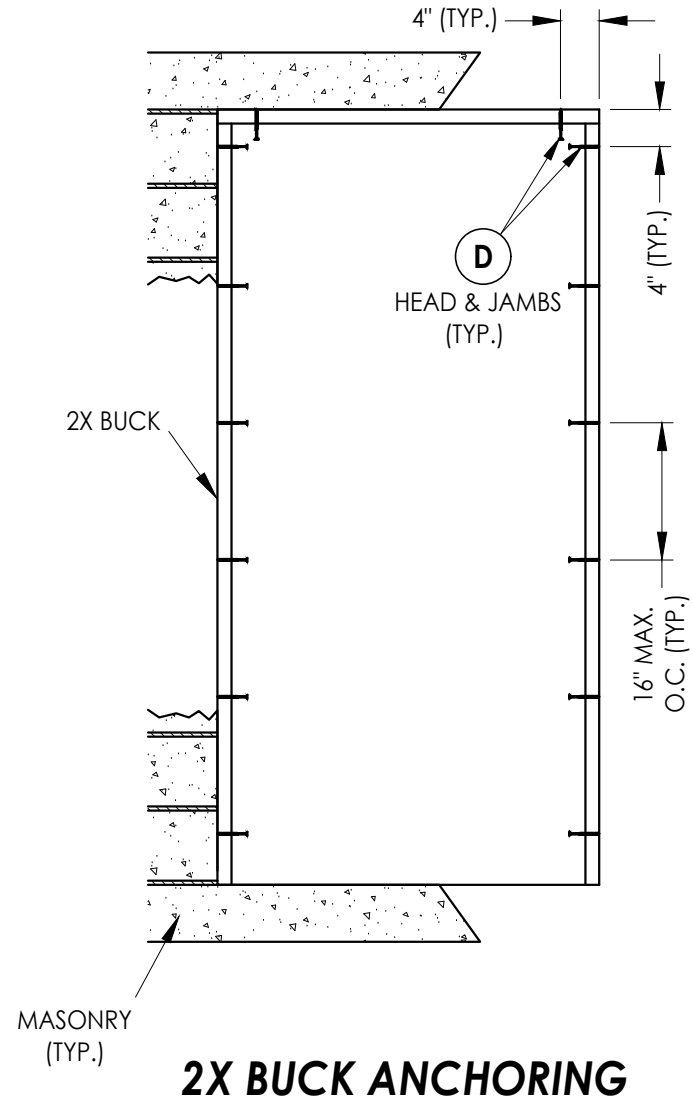
PRODUCT:
THERMA-TRU
FIBERGLASS DOOR

PART OR ASSEMBLY:
VERTICAL CROSS
SECTIONS (THRESHOLDS)

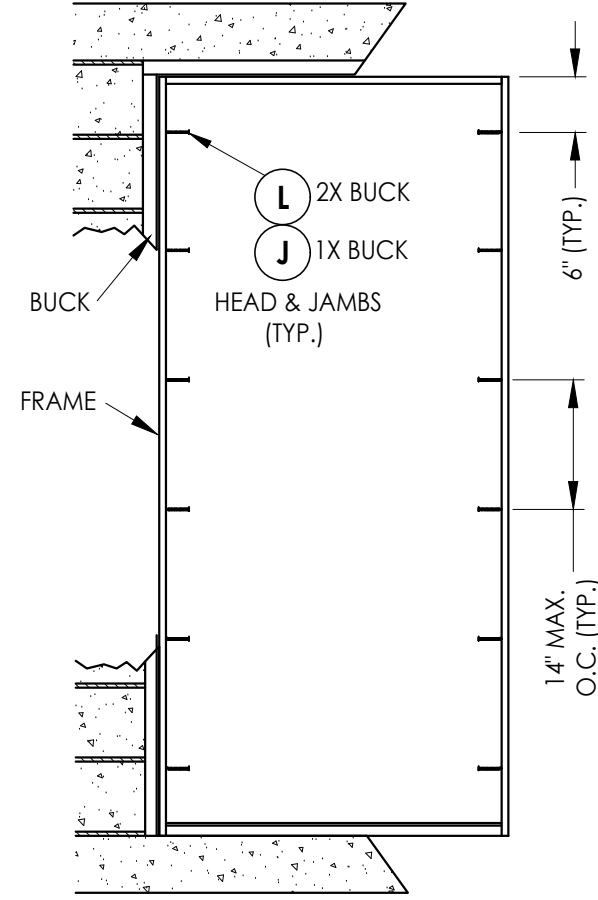
NO.	DATE	DESCRIPTION	BY
1	7/27/23	UPDATE TO 8TH ED. (2023)	LFS

REVISIONS

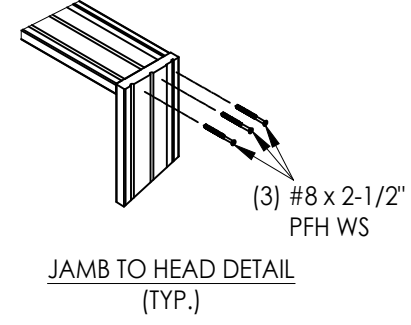
DATE: 5/18/21
SCALE: N.T.S.
DWG. BY: RW
CHK. BY: LFS
DRAWING NO.: FL-37182.1
SHEET 6 OF 9



2X BUCK ANCHORING



FRAME ANCHORING



JAMB TO HEAD DETAIL (TYP.)

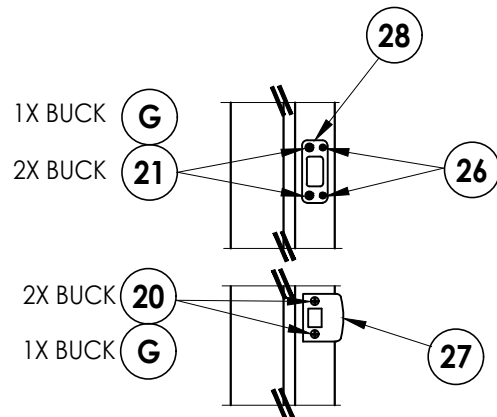
NO.	DATE	DESCRIPTION	BY
1	7/27/23	UPDATE TO 8TH ED. (2023)	LFS

DATE:	5/18/21
SCALE:	N.T.S.
DWG. BY:	RW
CHK. BY:	LFS
DRAWING NO.:	FL-37182.1
SHEET	7 OF 9

PRODUCT:	THERMA-TRU FIBERGLASS DOOR
PART OR ASSEMBLY:	BUCK & FRAME ANCHORING

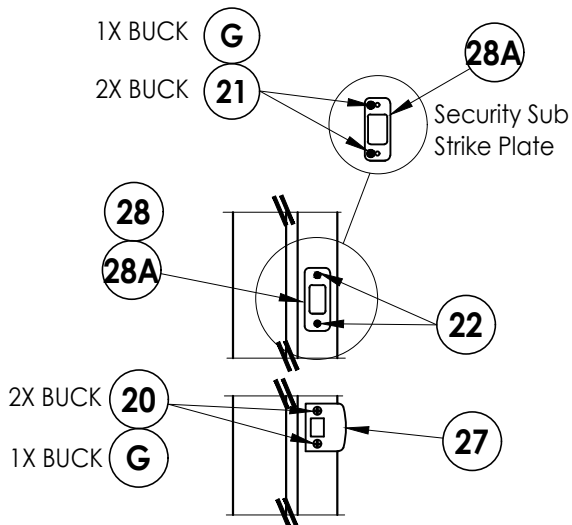
Documents Prepared By:
Lyndon F. Schmidt
P.E. No. 43409

RW BUILDING CONSULTANTS, INC.
P.O. Box 230, Vairico, FL 33595
Phone No.: 813.659.9197
FBPE Registry No. 9813



LATCH & DEADBOLT DETAIL

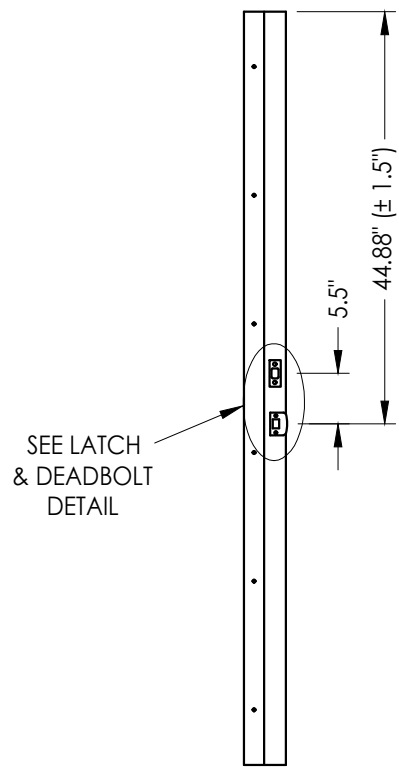
Kwikset



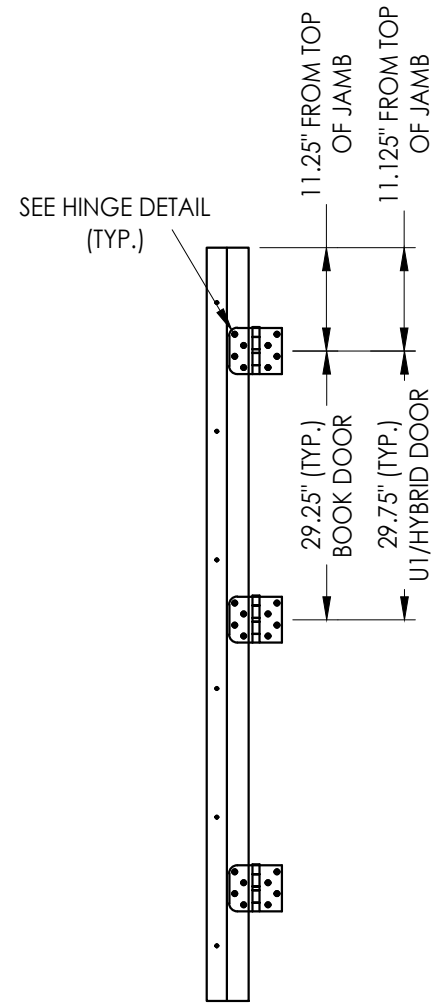
LATCH & DEADBOLT DETAIL

Schlage

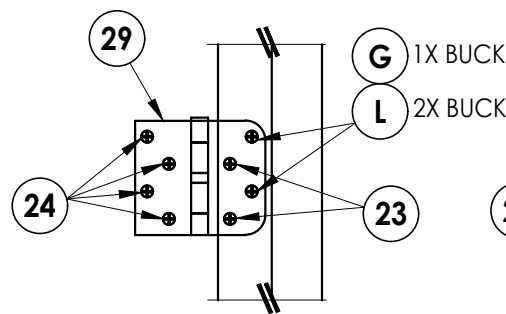
LATCH & DEADBOLT STRIKE DETAILS



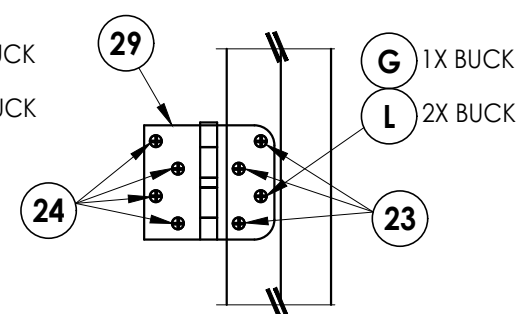
STRIKE JAMB
Latch and Deadbolt



HINGE JAMB



HINGE DETAIL
Inswing



HINGE DETAIL
Outswing

Documents Prepared By:
Lyndon F. Schmidt
P.E. No. 43409

RW BUILDING CONSULTANTS, INC.
P.O. Box 230, Valrico, FL 33595
Phone No.: 813.659.9197
FBPE Registry No. 9813

PRODUCT:
THERMA-TRU
FIBERGLASS DOOR

PART OR ASSEMBLY:
HARDWARE DETAILS

NO.	DATE	BY
1	7/27/23	LFS
	UPDATE TO 8TH ED. (2023)	FBC

REVISIONS

DATE: 5/18/21

SCALE: N.T.S.

DWG. BY: RW

CHK. BY: LFS

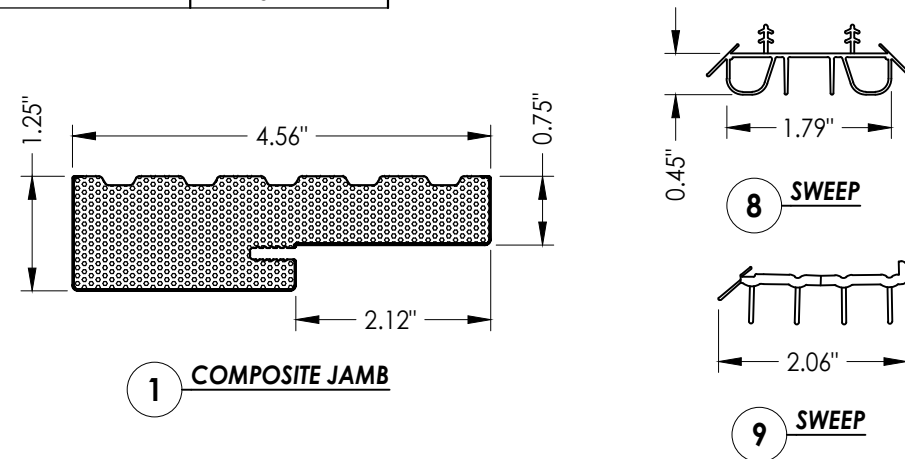
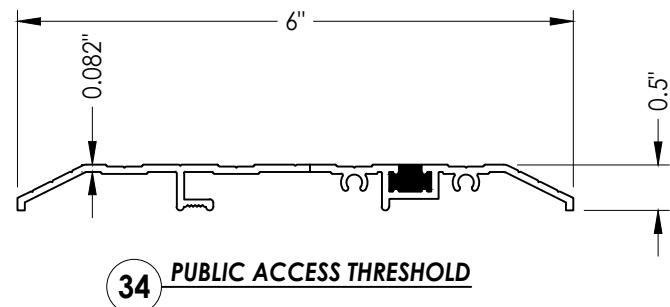
DRAWING NO.:

FL-37182.1

SHEET 8 OF 9

BILL OF MATERIALS		
ITEM #	DESCRIPTION	MATERIAL
A	1X BUCK (G >= 0.42)	WOOD
B	2X BUCK (G >= 0.42)	WOOD
C	1/4" MAX. SHIM SPACE	-
D	1/4" X 2-3/4" PFH DeWALT OR ITW CONCRETE SCREW	STEEL
E	MASONRY - 3,000 PSI MIN. CONCRETE CONFORMING TO ACI 301 OR HOLLOW BLOCK CONFORMING TO ASTM C90	CONCRETE
F	#10 X 2" PFH WOOD SCREW	STEEL
G	3/16" X 3-1/4" PFH ITW CONCRETE SCREW	STEEL
J	1/4" X 3-3/4" PFH DeWALT OR ITW CONCRETE SCREW	STEEL
L	#10 X 2-1/2" PFH WOOD SCREW (1.15" MIN. EMBEDMENT)	STEEL
1	COMPOSITE JAMB	COMP
7	WEATHERSTRIP	FOAM
8	DOOR SWEEP	VINYL
9	SWEEP (USE w/ PUBLIC ACCESS THRESHOLD)	VINYL
20	#8 X 2-1/2" PFH WOOD SCREW	STEEL
21	#12 X 2-1/2" PFH WOOD SCREW	STEEL
22	#8 X 3/4" PFH WOOD SCREW	STEEL
23	#9 X 3/4" PFH WOOD SCREW	STEEL
24	#9 X 1" PFH WOOD SCREW	STEEL

BILL OF MATERIALS		
ITEM #	DESCRIPTION	MATERIAL
26	#8 X 5/8" PFH WOOD SCREW	STEEL
27	LATCH STRIKE PLATE	STEEL
28	DEADBOLT STRIKE PLATE	STEEL
28A	DEADBOLT SUB-STRIKE PLATE	STEEL
29	4" X 4" HINGE	STEEL
32	INSWING THRESHOLD	ALUM/COMP
33	OUTSWING THRESHOLD	ALUM/COMP
34	PUBLIC ACCESS THRESHOLD	ALUM
40	DOOR PANEL (BOOK)	-
41	DOOR PANEL (HYBRID)	-
42	DOOR PANEL (U1)	-
43	INSWING THRESHOLD	ALUM/COMP
44	INSWING THRESHOLD	ALUM/COMP
45	INSWING THRESHOLD	ALUM/COMP
46	INSWING THRESHOLD	ALUM/COMP
47	INSWING THRESHOLD	ALUM/COMP
48	INSWING THRESHOLD	ALUM/COMP



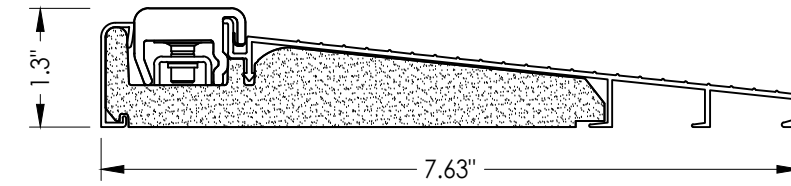
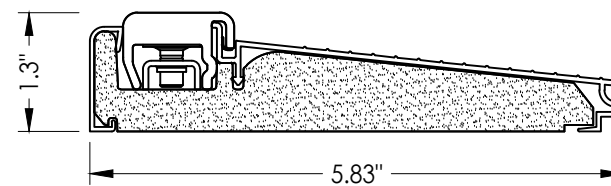
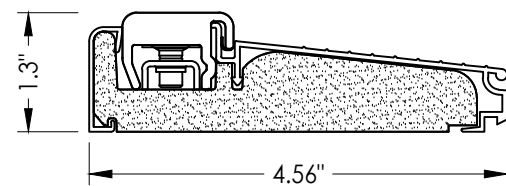
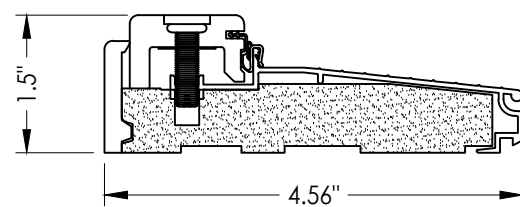
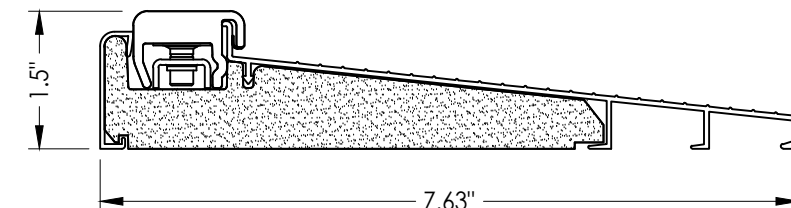
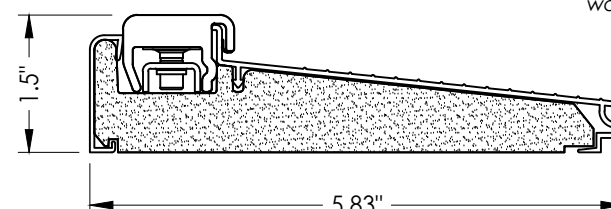
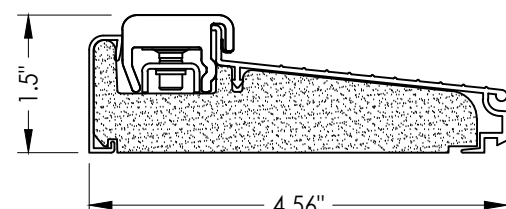
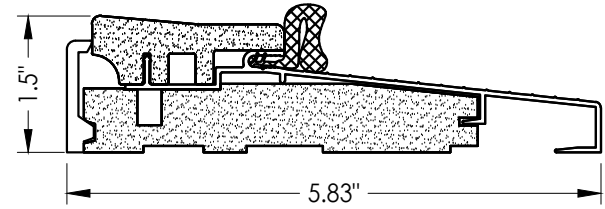
CONCRETE ANCHOR NOTES:

- Concrete anchor locations at the corners may be adjusted to maintain the min. edge distance to mortar joints.
- Concrete anchor locations noted as "MAX. ON CENTER" must be adjusted to maintain the min. edge distance to mortar joints, additional concrete anchors may be required to ensure the "MAX. ON CENTER" dimension are not exceeded.
- Concrete anchor table:

ANCHOR TYPE	ANCHOR SIZE	MIN. EMBEDMENT	MIN. CLEARANCE TO MASONRY EDGE	MIN. CLEARANCE TO ADJACENT ANCHOR
ITW TAPCON®	1/4"	1-1/4"	2"	4"
DeWALT ULTRACON+®	1/4"	1-1/4"	1"	4"
ITW TAPCON®	3/16"	1-1/4"	AS SHOWN	AS SHOWN

WOOD SCREW INSTALLATION NOTES:

- Maintain a minimum 5/8" edge distance, 1" end distance, & 1" o.c. spacing of wood screws to prevent the splitting of wood.



Documents Prepared By:
Lyndon F. Schmidt
P.E. No. 43409

RW BUILDING CONSULTANTS, INC.
P.O. Box 230, Valrico, FL 33595
Phone No.: 813.659.9197
FBPE Registry No. 9813

PRODUCT:
THERMA-TRU
FIBERGLASS DOOR

PART OR ASSEMBLY:
BILL OF MATERIALS
& COMPONENTS

NO.	DATE	DESCRIPTION	BY
1	7/27/23	UPDATE TO 8TH ED. (2023) FBC	LFS

DATE:	5/18/21
SCALE:	N.T.S.
DWG. BY:	RW
CHK. BY:	LFS
DRAWING NO.:	FL-37182.1
SHEET	9 OF 9